

Technical Assistance

If you have any questions or concerns about installing or using this product, you can reach us through one of the following methods:

Phone: (844) 674-4461

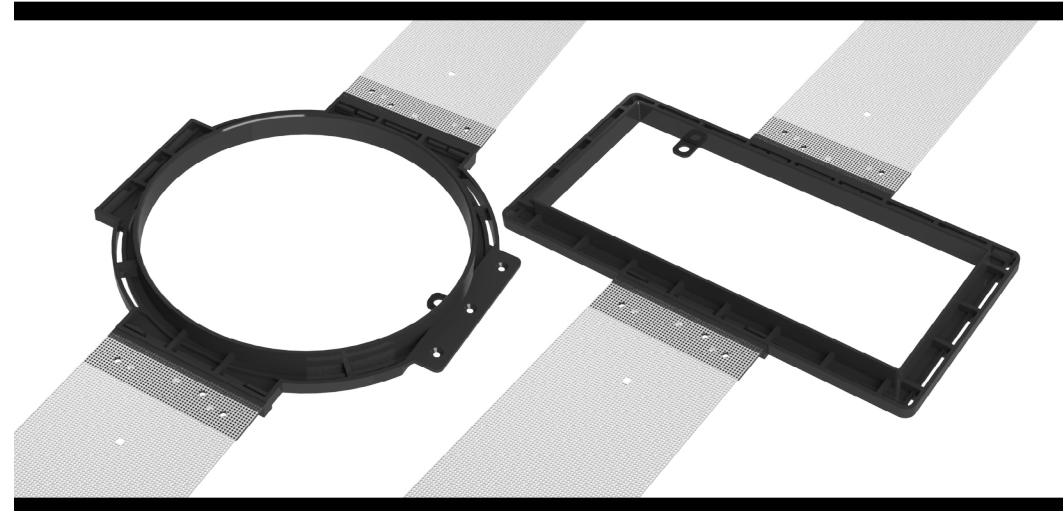
Hours of operation: 8:00am - 5:00pm (Pacific Time), Mon - Fri

Email: techsupport@originacoustics.com

If you are having technical trouble, please include the model number and briefly explain what steps you took to resolve the problem in your email, or be prepared to answer these questions over the phone. If you are considering returning the product, it's required that you contact Origin Acoustics prior to any return attempts. This way we can determine if the issue can be resolved without returning the product, or if needed we can provide instructions and support for the return process.



Installation Manual



KlipLok™

New Construction Brackets

©2014 Origin Acoustics. All copyrighted, trademarked and patented elements mentioned herein are the sole property of Origin Acoustics.



New Construction Brackets

The KlipLock new-construction bracket makes prewire installations easier by reserving the proper space for Origin loudspeakers to be installed after drywall has been installed. All KlipLock brackets function the same regardless of size or shape.

This is a manual for all models of both round and rectangular brackets.

Why a New Construction Bracket?

The two primary reasons for using a new-construction bracket are:

1. To define the precise location for the speaker and thereby determine exactly where wires are required to be run.
2. To indicate to the drywall installer the exact shape and size of the hole to be cut in order to install the speakers at a later date.

Assembling the Bracket

Origin rectangular KlipLock brackets are shipped with two wings that can attach to any of four positions on the center frame. The wings on these brackets will span a standard stud bay at 16-inch on-center. Extra long wings are available to span 24-inch on-center studs.

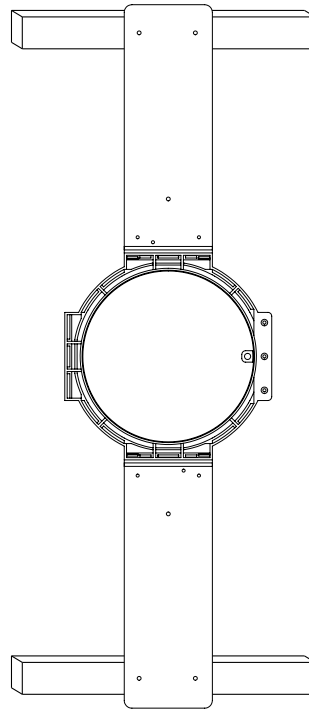


Figure 1

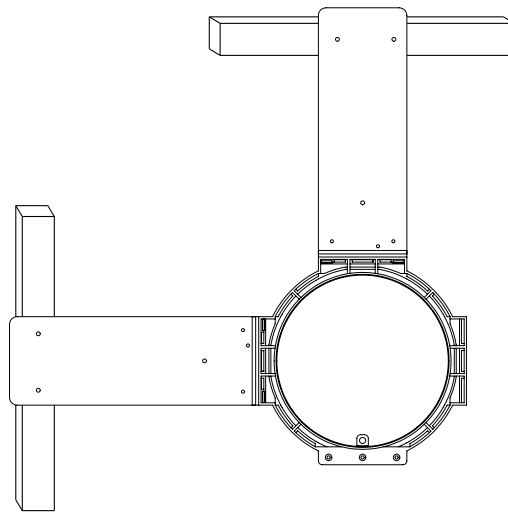


Figure 2

Brackets for round speakers ship with wings to span ceiling joists at 24-inch on-center.

Clip the bracket wings into place. They can be oriented in several different positions depending on the bracket designated for the specific speaker model. Most installations will require the wings to be directly opposite each other on the center frame. (Figure 1) However, there will be some installations that will require the wings to be attached in other configurations. Some brackets also offer the ability to attach the center frame directly to the studs or ceiling joist. (Figure 2)

The wings clip into place by lining up the tabs and grooves and simply pressing them into place. If additional pressure is needed, we recommend placing the center frame on a solid flat surface and using both hands to apply even pressure to engage the wings. The wings can be detached and reattached as needed.

Installing the Bracket

Once the bracket has been assembled, it is now just a matter of attaching the bracket to the studs or ceiling joists. This can be done with nails, screws or staples. Make sure adequate space is left around the edge of the center frame for either the SpringLock™ dogs (Composer Collection), ZipClips™ (Director Collection) or standard dogs (Producer Collection). $\frac{3}{4}$ of an inch will allow appropriate clearance for all of these mounting systems.

This location is now ready for drywall installation.