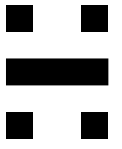


Huddly Crew

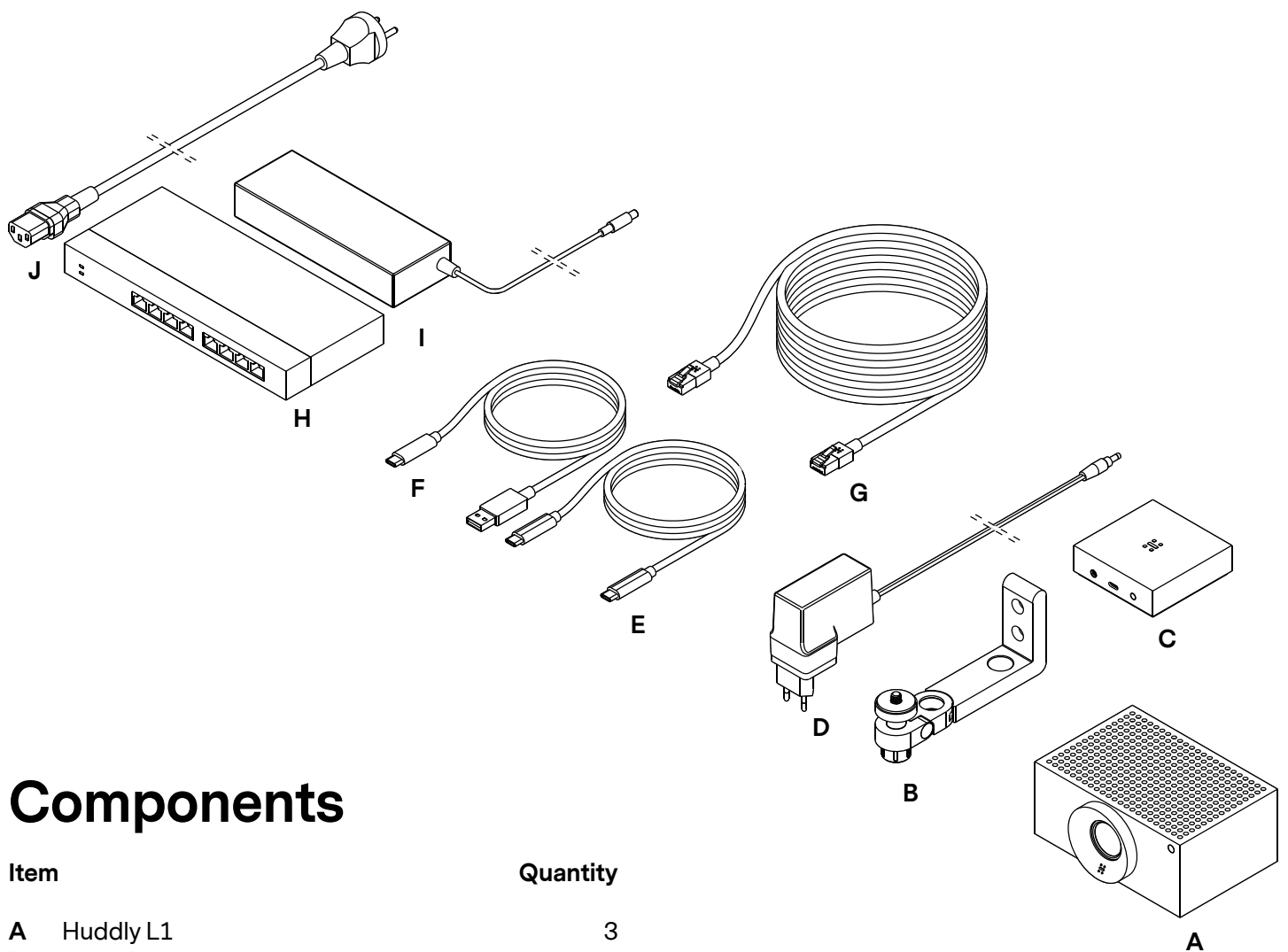


AI-directed multi-camera
system



Huddly[®] Crew[™]

Components



Components

Item	Quantity
A Huddly L1	3
B Wall Mount	3
C USB Adapter	1
D Power Adapter & Regional Plugs	1
E USB C-C Cable, 0.6 m	1
F USB A-C Cable, 0.6 m	1
G Ethernet Cable, 3 m	4
H Ethernet Switch	1
I Power Adapter	1
J Regional Power Cable	4

Huddly[®] Crew[™]

Product Information

Features

Huddly Director

Huddly Director edits your meetings in real time using AI. Switching between different shot types, it focuses on the speaker, captures non-verbal reactions from listeners, and gives a full overview of the room.

Software-Upgradable

Huddly Crew is designed for continuous improvement through regular software upgrades that introduce new capabilities and enhancements.

Image Enhancement

Huddly Crew features automatic white balance, color correction, and optical aberration correction. It uses bias-compensating spatiotemporal filtering with wide-area chroma filtering to reduce image noise and Dynamic Light Optimization to adjust to low lighting conditions.

Real-Time Dewarping

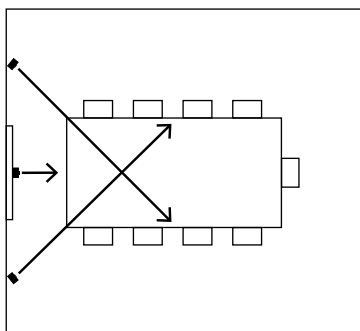
Huddly Crew's wide-angle image is automatically dewarped and perspective-corrected in real-time, resulting in a natural, true-to-life view.

Exposure Adjustment

Huddly Crew uses an intelligent exposure adjustment mechanism to optimize brightness levels across cameras.

Room Examples

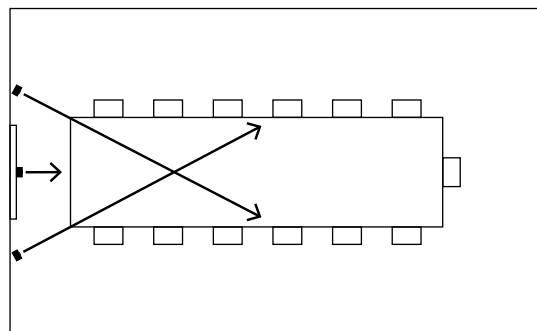
6 m/20 ft



5.5 m/18 ft

Medium room

10 m/33 ft

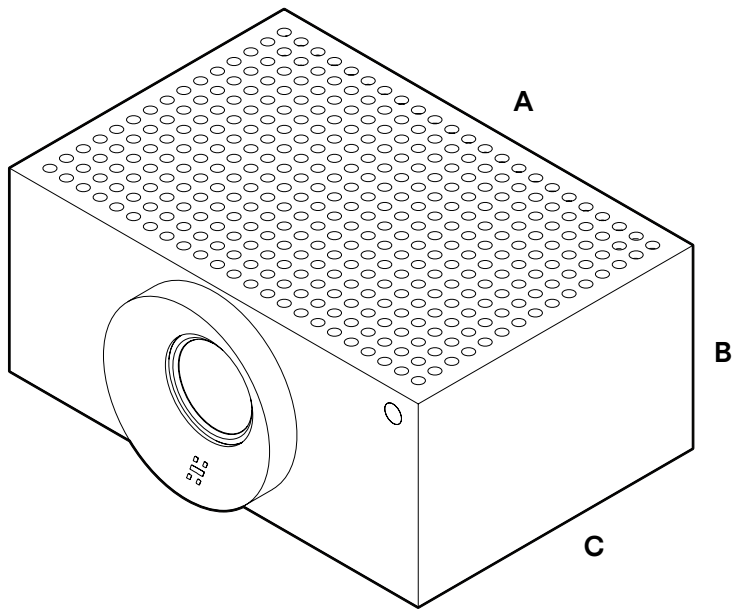


5.5 m/18 ft

Large room

Huddly[®] Crew[™]

L1



Huddly Crew consists of three Huddly L1 network cameras with specialized Huddly Director software.

Measurements

A	Length	122 mm / 4.8 in
B	Height	53 mm / 2.0 in
C	Width	82 mm / 3.2 in
	incl. lens	90 mm / 3.5 in

Weight

0.6 kg / 1.3 lbs

Image

- 6K image sensor
- 20.30 Megapixels 1" CMOS Sensor
- 1080p Full HD @ 30 fps video output
- 720p HD @ 30fps video output
- Up to 5x digital zoom
- 16:9 aspect ratio output
- 180° image auto-flip

Optics

- Wide-angle glass optics
- Horizontal field of view 92°
- Vertical field of view 65°
- Diagonal field of view 103°
- f/2.9 aperture

System & Hardware Requirements

- Windows 10
- Huddly USB Adapter (included)

Connectivity

- Connector: RJ45
- Cable: Cat 5e/6/7
- USB Type-C port supporting USB 2/3 (via USB Adapter)

Hardware

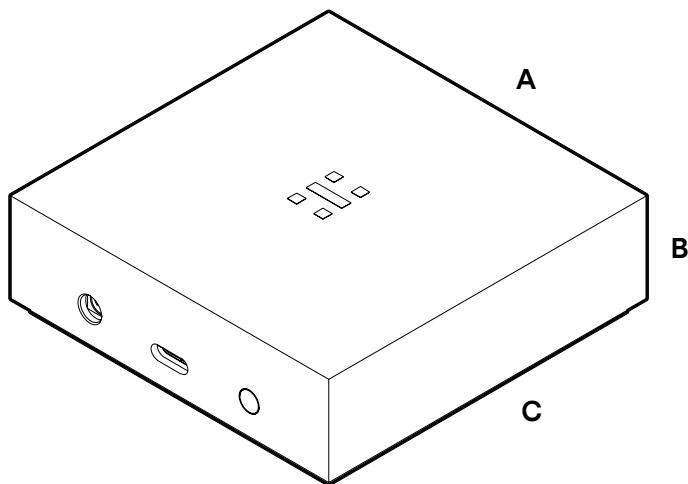
- High-performance VPU with neural compute engine
- Aluminum body

Color

Matte Black

Huddly[®] Crew[™]

USB Adapter



The Huddly USB Adapter enables plug-and-play connectivity between Huddly Crew and your meeting room computer.

Measurements

A	Length	82 mm / 3.2 in
B	Height	27 mm / 1.1 in
C	Width	82 mm / 3.2 in

Weight

0.2 kg / 0.4 lbs

Connectivity

- USB Type-C port supporting USB 2/3 (to host computer)
- RJ45 gigabit Ethernet port to camera
- DC power connector

Power Requirements

Requires external 5V 3A power, supplied either via USB C or the included external AC/DC 5V 4A power adapter.

Hardware Specifications

- Aluminum body
- Built-in magnet for easy mounting to metal
- Wall mount plate (included)

Color

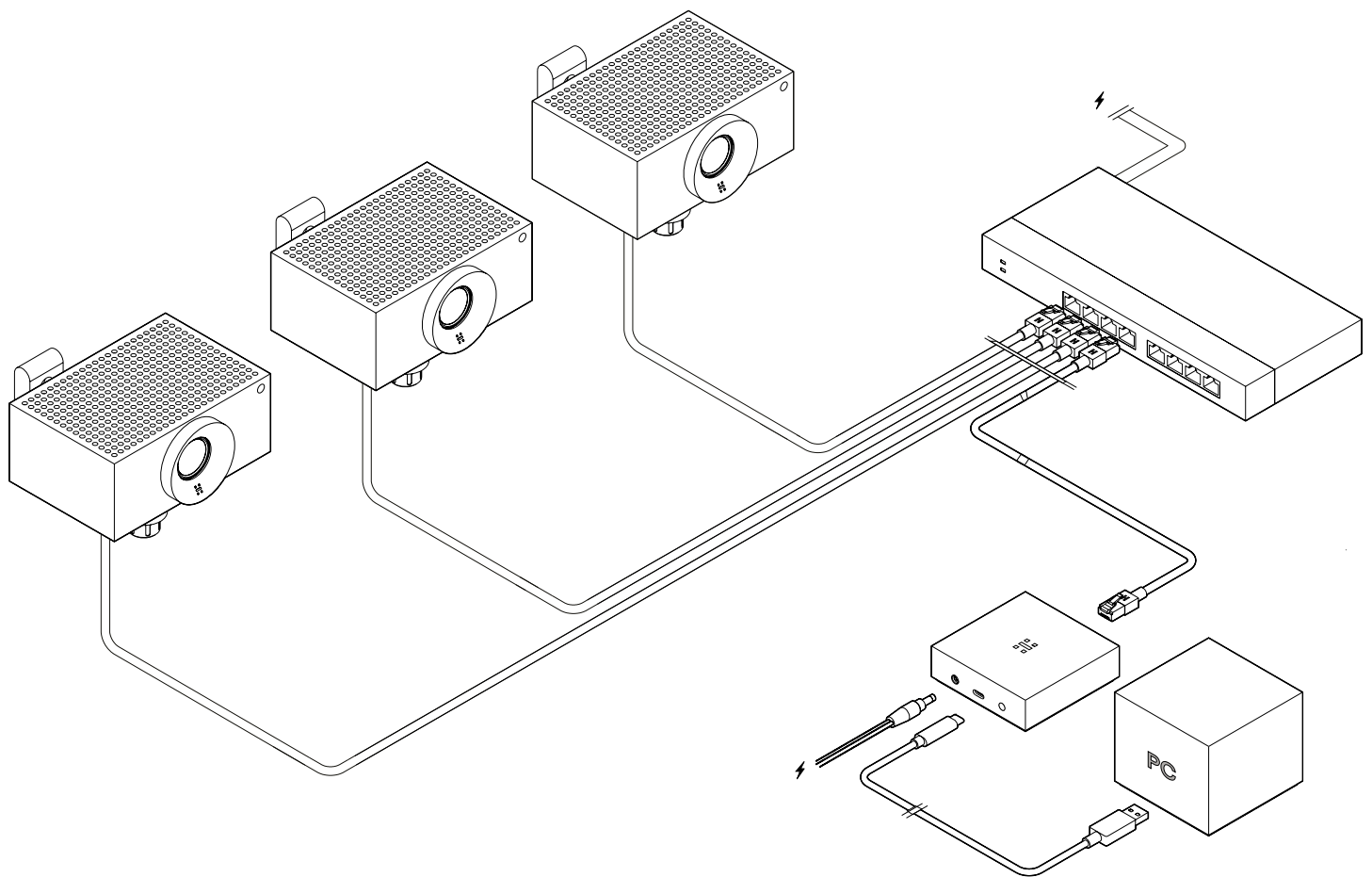
Matte Black

System & Hardware Requirements

Windows 10

Huddly[®] Crew[™]

Connectivity

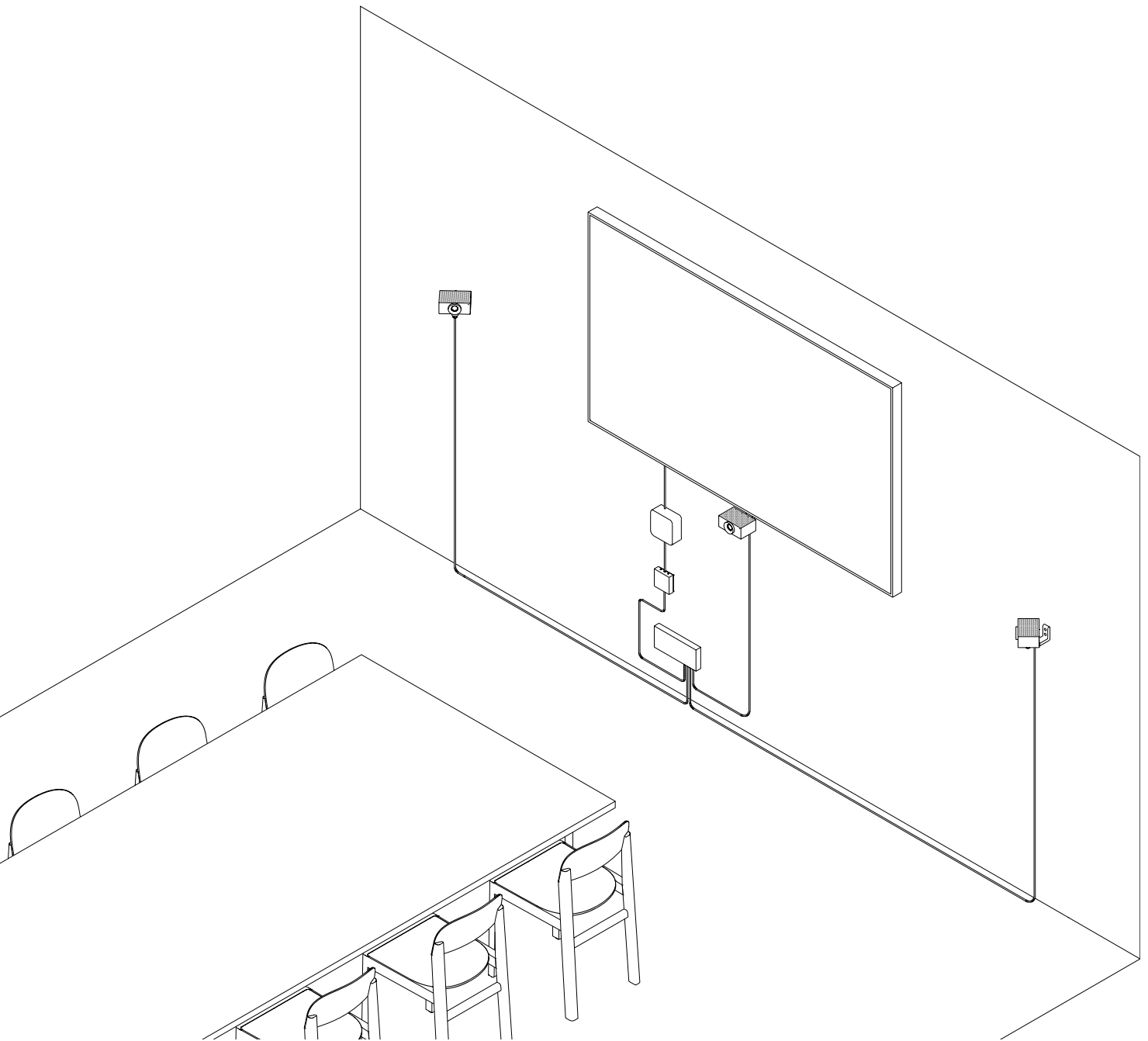


Connectivity

The cameras are linked via CAT6 Power over Ethernet cables to a Netgear switch provided by Huddly. This switch connects to a Huddly USB adapter, which links to your room system or Windows computer via a USB cable. The cameras can communicate over any distance through Ethernet, allowing for high flexibility.

Huddly[®] Crew[™]

Setup



Setup

To ensure an optimal experience, it's recommended to set up the system at eye level, taking into consideration the seating arrangement in the room. For more in-depth instructions, please consult the Installation Guide.