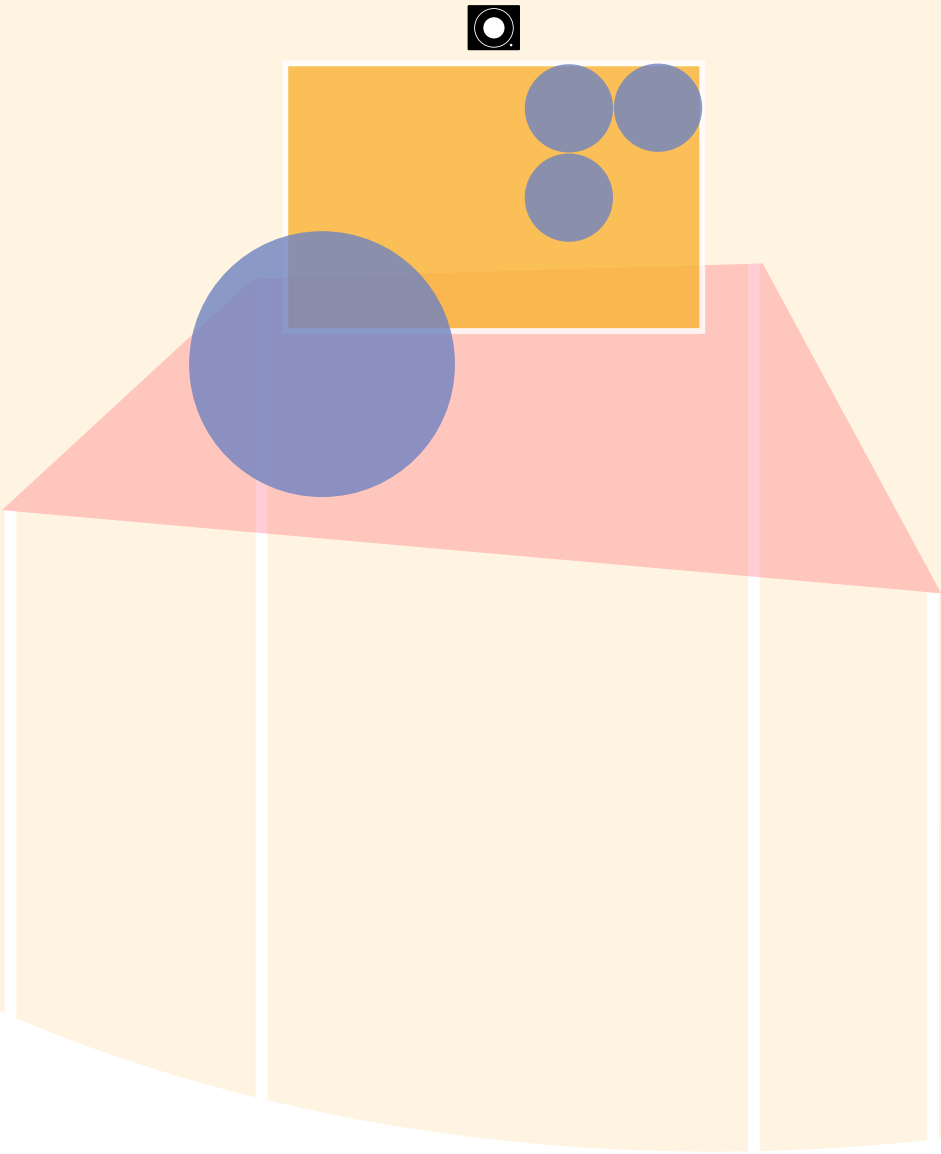


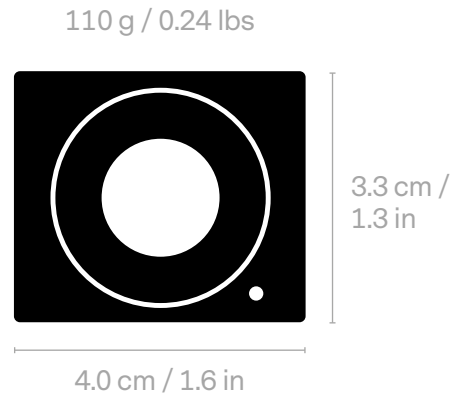
# Huddly GO

## Work from home kit



# Huddly GO

## Spec Sheet



### Features

- High-quality scaling and dewarping
- 3D noise reduction
- Automatic white balance and color correction
- Optical aberration correction
- 4x digital zoom
- Low latency video processing

### Image

- 16 Megapixels 1/2.3" CMOS Sensor
- 720p HD @ 30 fps
- 16:9 aspect ratio output
- UVC 1.1 Plug & Play Compatible
- MJPEG, YUV 4:2:2 and 4:2:0 support over USB 3
- MJPEG support over USB 2

### Connection Types

- USB Type-C connector
- SuperSpeed USB 3
- HighSpeed USB 2\*
- Power requirement 5V 900mA

### Optics

- Ultra-wide angle glass optics
- Horizontal field of view 120°
- Vertical field of view 90°
- Diagonal field of view 150°
- f/2.8 aperture

### Hardware Specifications

- High-performance video processing engine
- Embedded mounting hinge
- Camera tripod mount

### Color

- Matte gray

\*Requires 5V 900 mA power supply

# Huddly GO

## Features

### **Ultra Wide-Angle**

Huddly GO's 150° wide-angle lens lets you capture everyone in the room, transforming even the smallest rooms into high quality conference suites

### **Dynamic Light Optimization**

Auto-adjusts to your lighting conditions so you'll always look your best, no matter where you are

### **High Precision Aspherical Optics**

Six-element glass lens

### **Visual Noise Filtering**

Bias compensating spatio-temporal filtering with wide area chroma filtering

### **Real-Time Dewarping**

The wide-angle image is dewarped and perspective corrected in real time, rendering a natural, true-life view

### **Self-Upgrading Huddly Vision Software**

Regular updates to our Huddly Vision software mean that with a single click, your camera will continue to improve with new, cutting-edge features

### **SuperSpeed USB 3.0**

HD 720p 30fps output

### **180° Auto-Flip**

When mounted upside down, the camera automatically provides the correct view

### **Embedded Mounting Hinge**

Easily attaches to any TV screen, laptop or monitor

### **Image Sensor**

The 16 MegaPixel 1/2.3" CMOS sensor delivers immersive, crystal-clear HD video

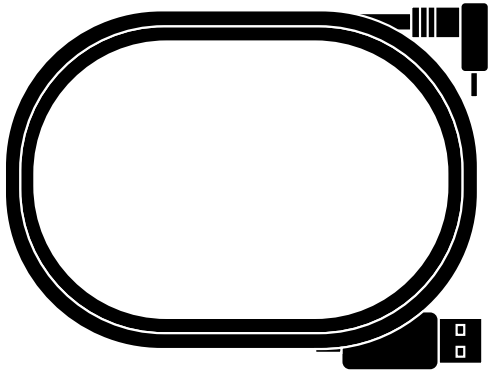
### **Camera Tripod Mount**

For flexible mounting on tripods and Huddly mounting brackets

### **Digital Pan/Tilt/Zoom**

Huddly GO has no moving parts, making it compact and silent, as well as more reliable and accurate. Instantly pan, tilt and zoom digitally up to 4 times

# USB 3 Type C to A Cable 1.15 m Spec Sheet



## Dimensions & type

Length:	1.15 m
Host side plug type:	Type A
Host side plug dimensions:	34 (length), 15 (width), 7 (height) mm
Device side plug type:	Angled Type-C
Device side plug dimensions:	17.8 (length), 12.3 (width), 20 (height) mm
Color:	Black
Weight:	46 g
Cable diameter:	4.5 mm
Minimum bend radius of cable:	15 mm

## Temperature

Operating temperature:	0 - 50°C
------------------------	----------

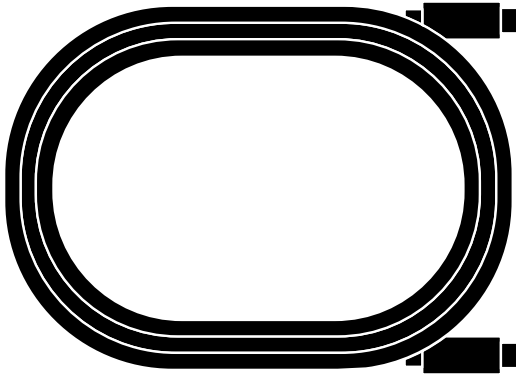
## USB support

USB 1.1 FS/ 2.0 HS support  
USB 3.1 Gen 1 support (5 Gbps)

## Power

Cable power supply required:	No
Cable power supply information:	N/A
Cable AWG:	22 (PWR) 32 (USB 2) 28 (USB 3)
Insertion loss:	-16.5dB @ 7.5GHz -3.1dB @ 400Mhz
Voltage:	5 V
Rated current (max):	3 A

# USB 3 Type C to C Cable 0.6 m Spec Sheet



GTIN Number: 7090043790313

## Dimensions & type

Length:	0.6 m
Host side plug type:	Type-C
Host side plug dimensions:	27 (length), 12.4 (width), 6.5 (height) mm
Device side plug type:	Type-C
Device side plug dimensions:	27 (length), 12.4 (width), 6.5 (height) mm
Color:	Black
Weight:	29 g
Cable diameter:	4.0 mm
Minimum bend radius of cable:	15 mm

## Temperature

Operating temperature:	0 - 50°C
------------------------	----------

## USB support

USB 1.1 FS/ 2.0 HS support  
USB 3.1 Gen 1 support (5 Gbps)

## Power

Cable power supply required:	No
Cable power supply information:	N/A
Cable AWG:	26 (PWR) 32 (USB 2) 34 (USB 3)
Voltage:	5 V
Rated current (max):	900 mA